

Data Acquisition & Sensors



DAS (Data Acquisition System)

As Ascenz's proprietary developed technology, the Shippulse™ DAS (Data Acquisition System) is designed to integrate with onboard sensors such as Flow Meter, Torque Meter, Accelerometer, GPS, Wind/Weather and Third-Party Sensors for data collection and aggregation.

Who Is It For

- Ship operators, ship owners, charterers and ship managers who want to monitor vessel performance

Features

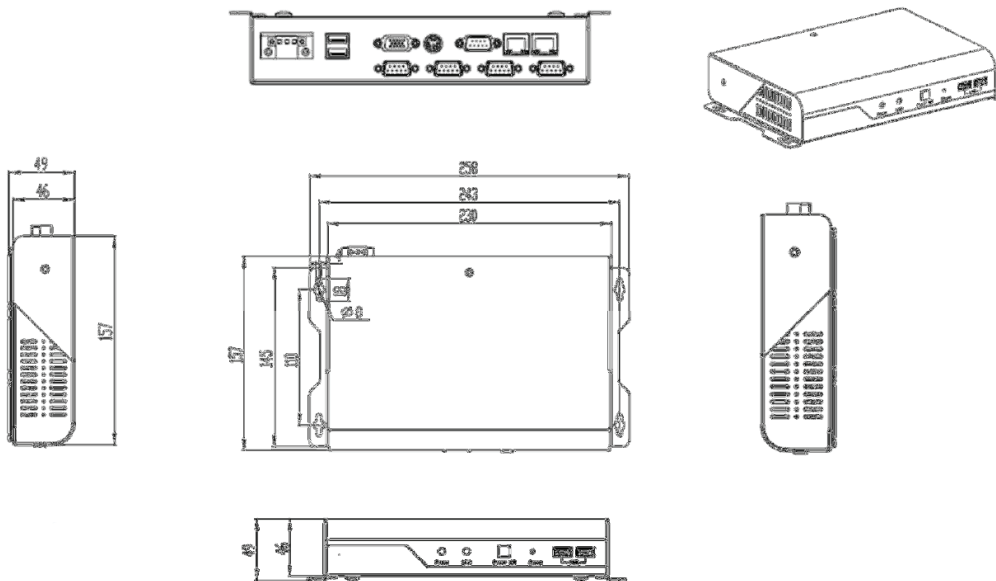
- Transmission Protocol: SFTP / HTTPS
- Connectivity: ModBus, NMEA, 4-20ma, LAN
- Physical protections: IP65, temperature, humidity

The data captured by the DAS (Data Acquisition System) is transmitted via satellite and GSM network, analysed, and converted into valuable performance insights, presented real-time across various onboard and online interfaces such as the Shipulse Dashboard, Shipulse Onboard, BunkerXchange and the Shipulse Portal. With the DAS as part of the Shipulse solution suite, any vessel can be transformed into a smart ship.

Specifications

System Specifications	I/O
Processor Onboard AMD Geode LX 800/ LX900 Series Processor (LX 700 optional)	Storage EIDE x 1 (UDMA-33 x 1); Floppy Disk, Drive x 1; Type II CompactFlash x 1
System Memory 200-pin DDR SODIMM x 1, Max. 1GB for DDR333 and 512MB for DDR 400	Serial Port RS-232 x 1 (Rev.A)/ RS-232 x 4 & RS-232 TTL only/ GPS x 1 (Rev.B), RS-232/422/485 x 1
Chipset AMD LX series + CS5536	Parallel Port SPP/EPP/ECP mode
I/O Chipset ITE IT8712+ IT8888G	USB Port USB2.0 x 4
Ethernet Realtek RTL8139DL, 10/100Mbps, RJ-45 x 2	PS/2 Port Keyboard & Mouse x 1
BIOS Award Plug & Play BIOS – 1MB ROM	Digital I/O Supports 8-bit (Programmable)
Watchdog Timer Generates a time-out system reset	IrDA One IrDA Tx/Rx header
H/W Monitor Chipset Supports power supply voltages and temperature monitoring	Audio Realtek ALC203 2CH AC97 Codec, MIC-in/ Line-in/ Line-out/ CD-in
Expansion Interface PC/104 x 1 (For Rev.A only), Mini PCI x 1	
Power Requirement +5V/AT/ATX	
Board Size 5.75"(L) x 4"(W) (146mm x 101.6mm)	
Operating Temperature 32°F~ 140°F (0°C ~ 60°C)	

Dimensions



How To Get It

Take the next step.
Email sales@ascenz.com for more information.